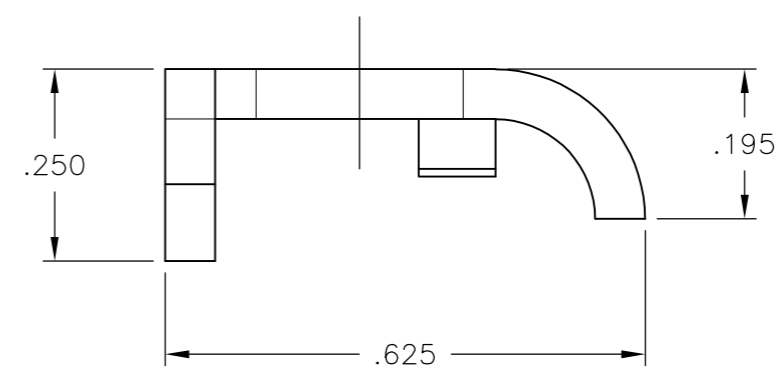
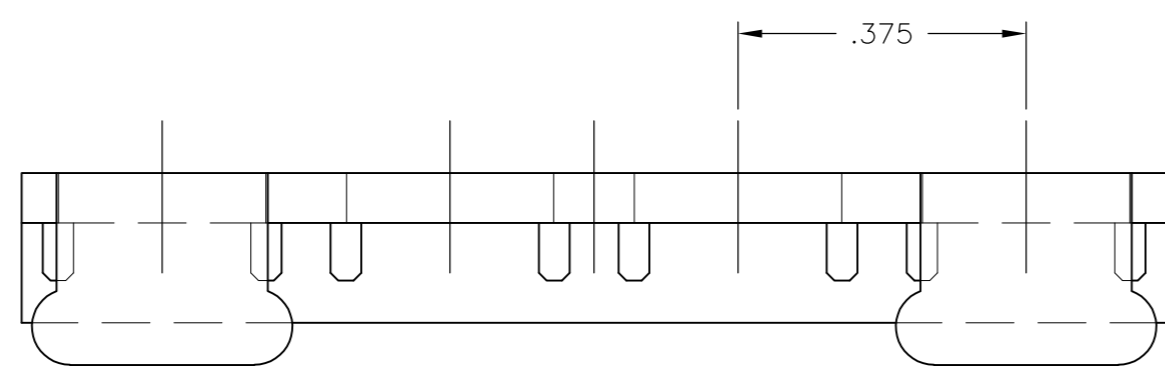
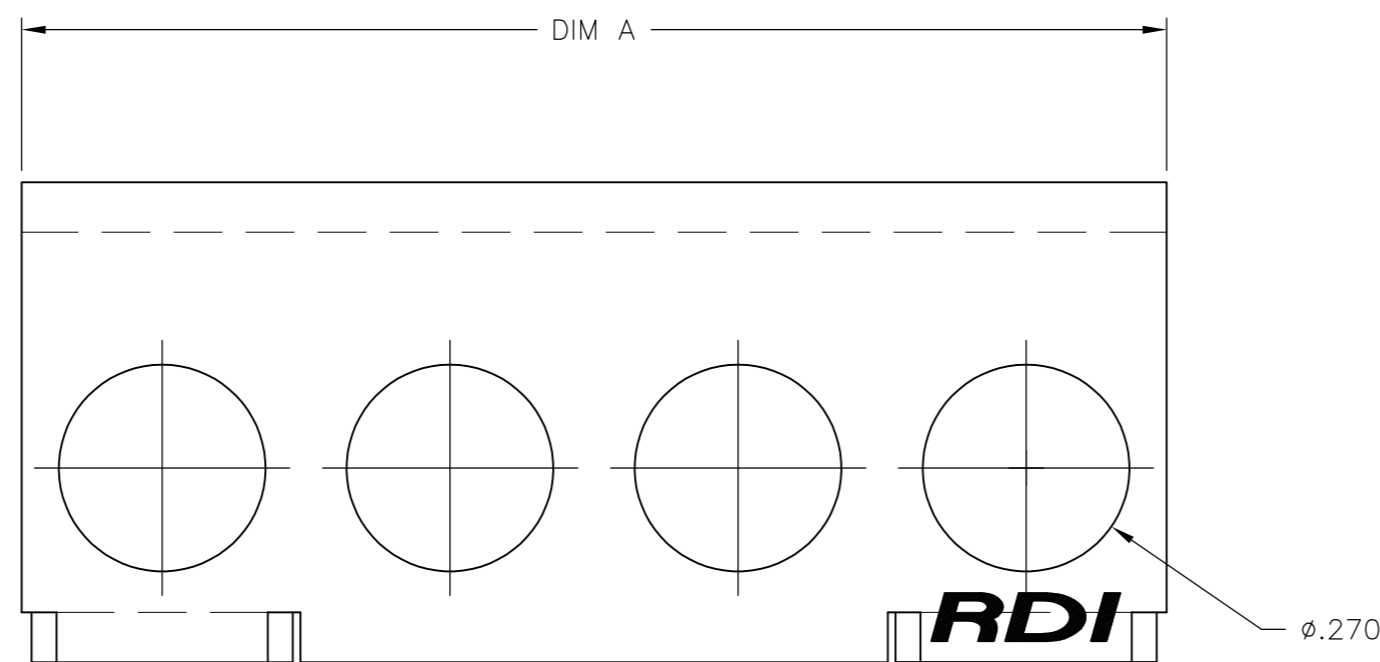


THIS DRAWING IS UNPUBLISHED. RELEASED FOR PUBLICATION  
 © COPYRIGHT - By - ALL RIGHTS RESERVED.

LOC		DIST		REVISIONS			
P	LTR	DESCRIPTION		DATE	DWN	APVD	
		D1		REVISED PER ECO-11-004820	11MAR11	RK HMR	

NOTES:

- 1 MATERIAL: POLYPHENYLENE OXIDE UL94V-0, BLACK.
- 2 POSITION HAS RDI LOGO OMITTED.
- 3. FOR USE WITH 6 SERIES BARRIER STRIPS.



5.991	16	TC6-16-PFH	4-1437661-7
5.616	15	TC6-15-PFH	4-1437661-6
5.241	14	TC6-14-PFH	1-1776050-4
4.866	13	TC6-13-PFH	1-1776050-3
4.491	12	TC6-12-PFH	4-1437661-5
4.116	11	TC6-11-PFH	7-1437661-4
3.741	10	TC6-10-PFH	4-1437661-4
3.366	9	TC6-09-PFH	4-1437661-2
2.991	8	TC6-08-PFH	4-1437661-0
2.616	7	TC6-07-PFH	3-1437661-8
2.241	6	TC6-06-PFH	3-1437661-7
1.866	5	TC6-05-PFH	3-1437661-4
1.491	4	TC6-04-PFH	3-1437661-2
1.116	3	TC6-03-PFH	2-1437661-9
.741	2	TC6-02-PFH	2-1437661-7
DIM A	NO. OF POS.	CATALOG NUMBER	PART NUMBER

THIS DRAWING IS A CONTROLLED DOCUMENT.		DWN	S SCHLEGEL	23MAY03	<b>TE</b> TE Connectivity																				
		CHK	S YODER	5/23/03																					
DIMENSIONS: INCHES		TOLERANCES UNLESS OTHERWISE SPECIFIED:			NAME																				
<table border="0"> <tr><td>0 PLC</td><td>±</td><td>-</td></tr> <tr><td>1 PLC</td><td>±</td><td>-</td></tr> <tr><td>2 PLC</td><td>±</td><td>-</td></tr> <tr><td>3 PLC</td><td>±</td><td>.010</td></tr> <tr><td>4 PLC</td><td>±</td><td>-</td></tr> <tr><td>ANGLES</td><td>±</td><td>-</td></tr> </table>		0 PLC	±	-	1 PLC	±	-	2 PLC	±	-	3 PLC	±	.010	4 PLC	±	-	ANGLES	±	-	APVD			S YODER		
0 PLC	±	-																							
1 PLC	±	-																							
2 PLC	±	-																							
3 PLC	±	.010																							
4 PLC	±	-																							
ANGLES	±	-																							
MATERIAL		FINISH			PRODUCT SPEC																				
- 1		-			APPLICATION SPEC																				
		WEIGHT			SIZE																				
		-			A2																				
CUSTOMER DRAWING		SCALE			CAGE CODE																				
		4:1			00779																				
		SHEET			DRAWING NO																				
		1 of 1			C=2-1437661-7																				
		REV			RESTRICTED TO																				
		D1			-																				